

PHILADELPHIA

PENNSYLVANIA

TEMPLE

PROJECT DESCRIPTION

A gathering place for Mormon faithful throughout the region, the LDS Philadelphia Pennsylvania Temple is in the heart of this historic city. This temple serves as a spiritual gathering place for members of the church throughout Pennsylvania and New Jersey and is the inspired result of meticulous, in-depth study of period architecture and the historic Philadelphia urban fabric dating back to the nineteenth century.

Clad in cut stone, the temple is highly detailed in the Neoclassical revival style of American Georgian architecture. Bold lines are capped by two soaring spires. The massing of the building responds to the adjacent Renaissance Revival icons of the Philadelphia Free Library and the Family Courts Building. The British-influenced Late-Georgian Style was selected as a guide for the temple's architectural interiors. The American interpretation of this style was meant to reflect ancient notions of democracy, citizenship, and freedom of religion. Simple materials, unembellished, but with the enduring forms of ancient temples came to symbolize all that was new and great about our fledgling nation. Classical architectural orders are used to emphasize the patron's journey through the temple. Beginning at the entry, the detail of the trim and columns is in the stately and simple Doric order. Spaces become more formalized as patrons travel through the second and third floors as the trim and columns become slightly more embellished in the Ionic order. Finally, light colors and the rich ornament of the Corinthian order are reserved for the most reverent spaces – the Celestial Room and fourth floor Sealing Rooms.

The stone was originally selected from a quarry in China which the Chinese government closed in the middle of the design process. After an exhaustive search and comparison between several different stone species, a selection was made and the work began. The architectural drawings and details for the exterior envelope were done in considerable detail which shortened the time and effort needed to prepare the shop drawings and cutting tickets. All the details of traditional architecture after the Corinthian order are present in full relief. The large fluted pilasters are full thickness cubic stone as are the carved acanthus leaf capitals. The ornamental window surrounds, the rusticated base and the two stepped towers are all in cubic stone. A deliberate effort was made to have this building be true to the historic classical details. However, there was an effort made to maximize the use of thinner (3cm) veneer stone to save the expense of the cubic stone. The design team worked carefully with the structural engineers to design the building to be able to carry the heavy loads of the thick stone veneer – some of the pieces weigh over 5000 lbs. The fabrication and carving completed by the stone masons were consistent with the designer's vision.

It was a challenge to keep the building weather tight while the windows and stone took additional time to arrive and install. There was careful coordination of all the parts of the envelope made possible by the cohesion of every team member.



Philadelphia Temple, Rendering.

LDS PHILADELPHIA PENNSYLVANIA TEMPLE



Philadelphia Temple, Night. Photo © By Intellectual Reserve, Inc

LDS PHILADELPHIA PENNSYLVANIA TEMPLE



Philadelphia Temple, Day. Photo © By Intellectual Reserve, Inc

LDS PHILADELPHIA PENNSYLVANIA TEMPLE



Philadelphia Temple, Exterior Detail. Photo © By Intellectual Reserve, Inc



Philadelphia Temple, Stone Work Corner Detail. Photo © By Intellectual Reserve, Inc



Philadelphia Temple, Stone Work Wall Detail. Photo © By Intellectual Reserve, Inc



Philadelphia Temple, Stone Work Window Detail. Photo © By Intellectual Reserve, Inc







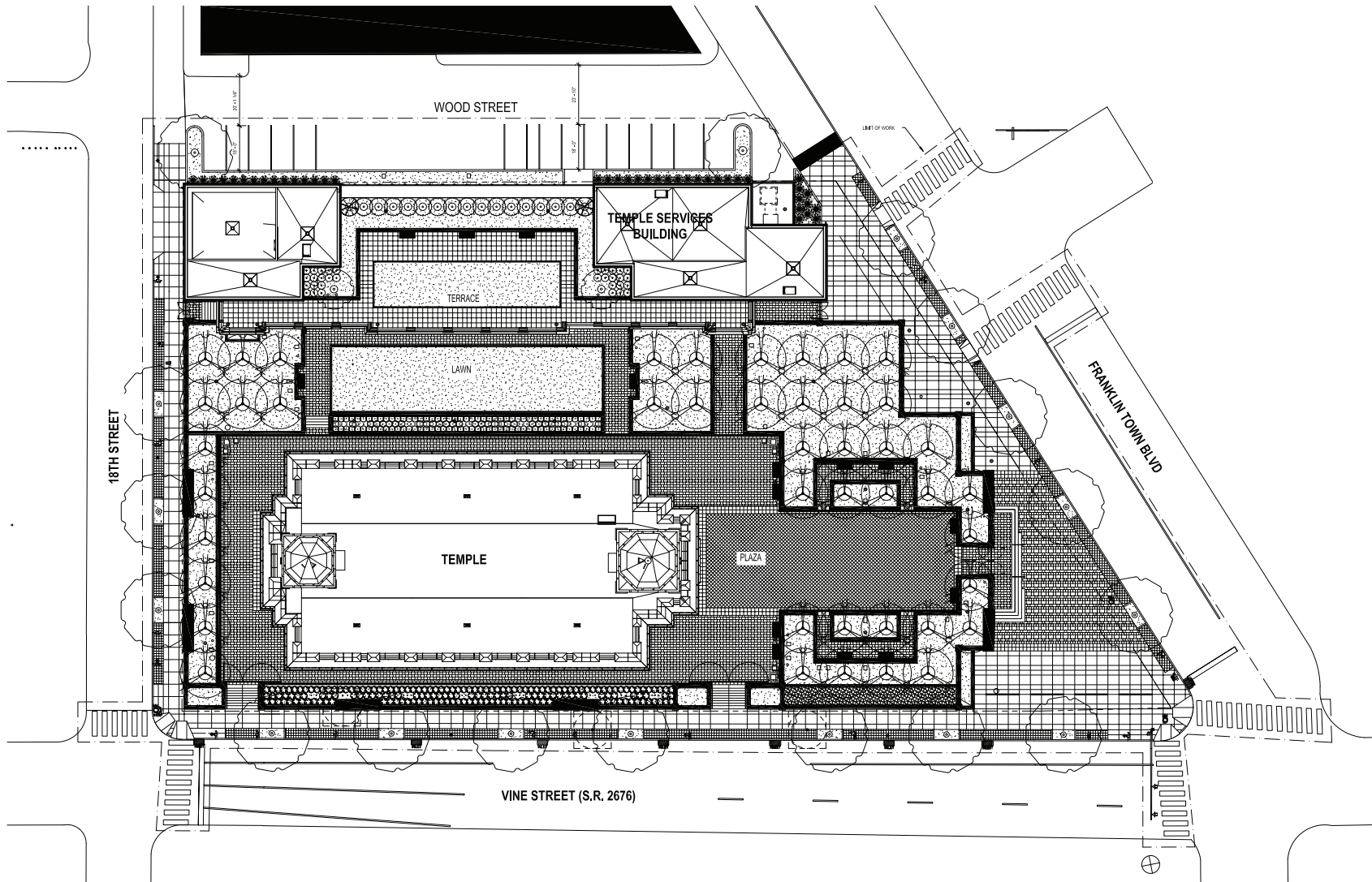
Philadelphia Temple, Sealing Room. Photo © By Intellectual Reserve, Inc



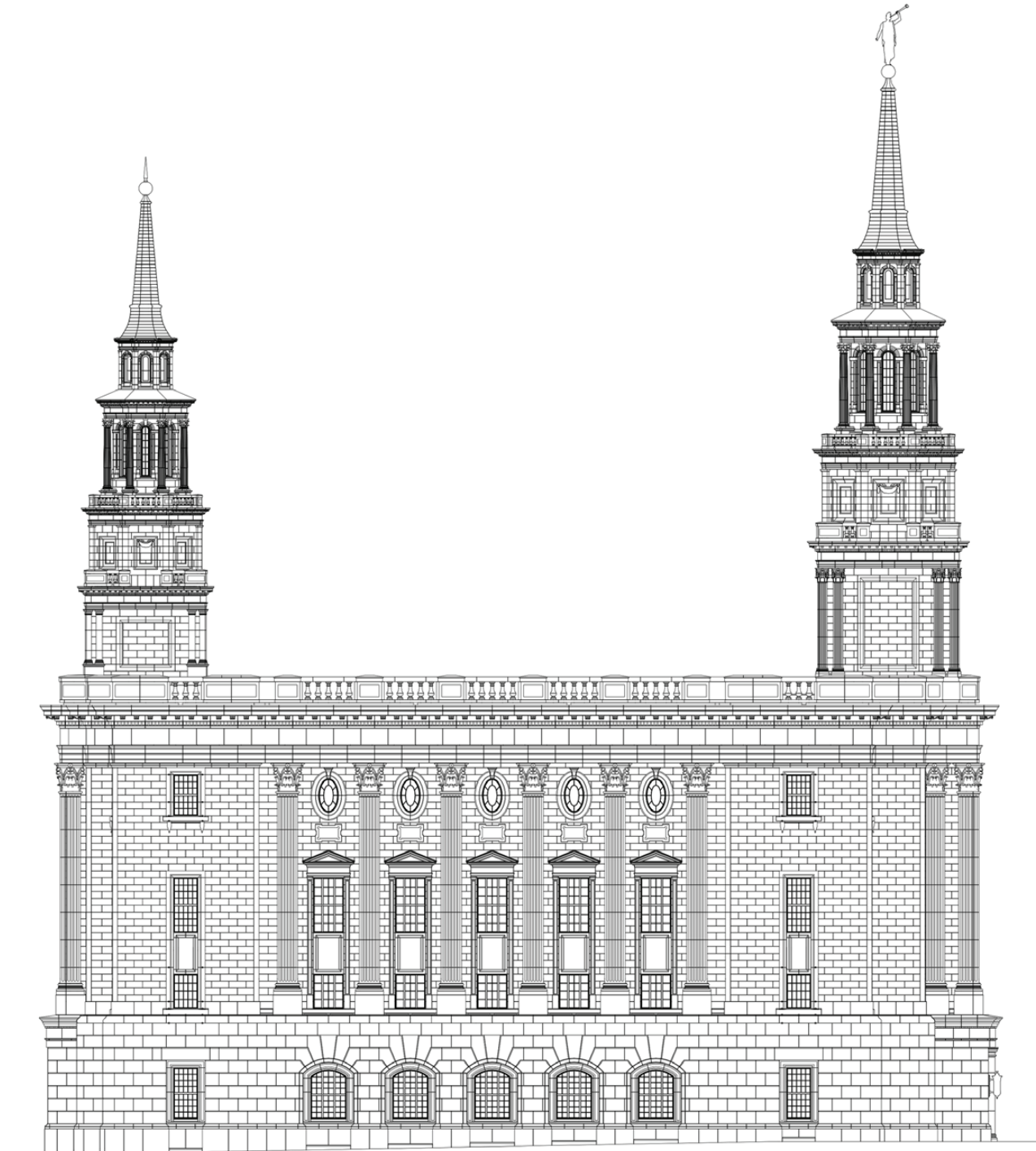


Philadelphia Temple, Sunset. Photo © By Intellectual Reserve, Inc

LDS PHILADELPHIA PENNSYLVANIA TEMPLE

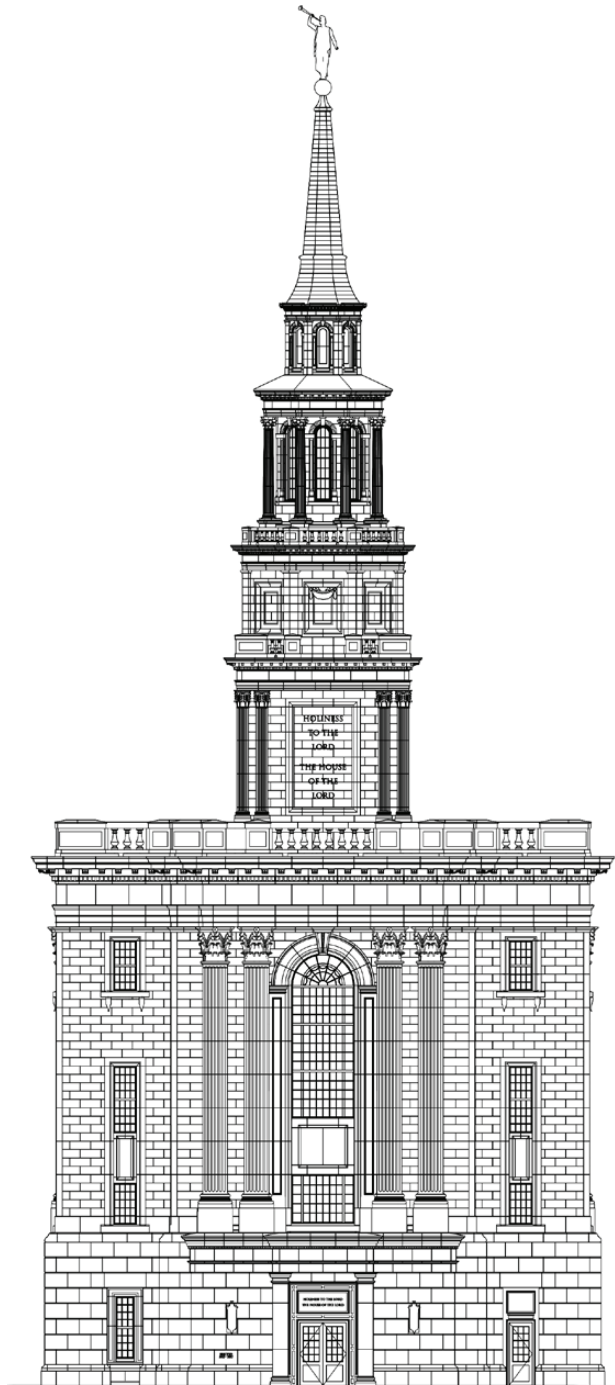


1 OVERALL SITE PLAN
1/18" = 1'-0"



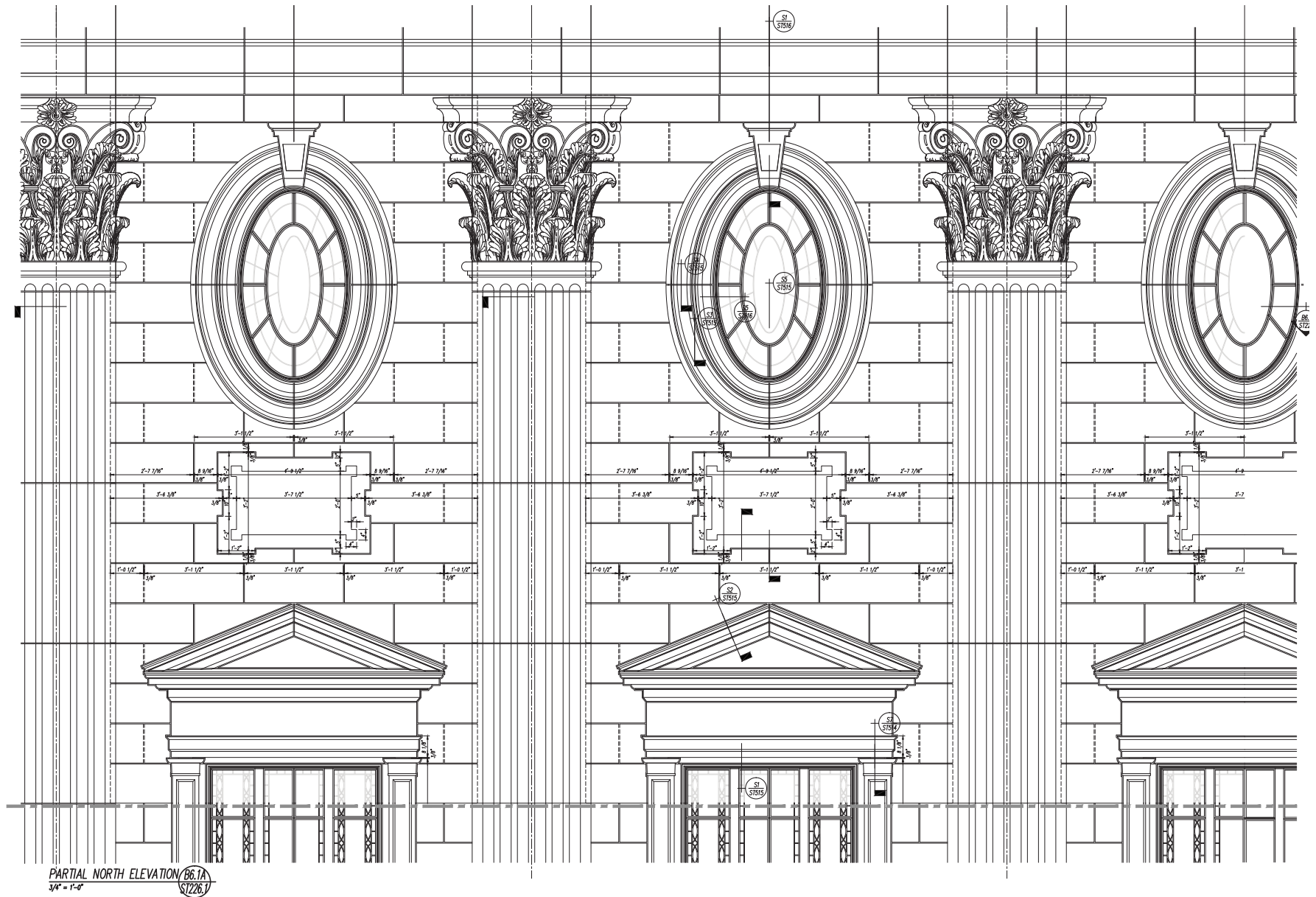
South Elevation

LDS PHILADELPHIA PENNSYLVANIA TEMPLE

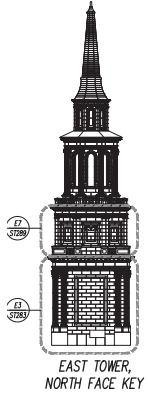
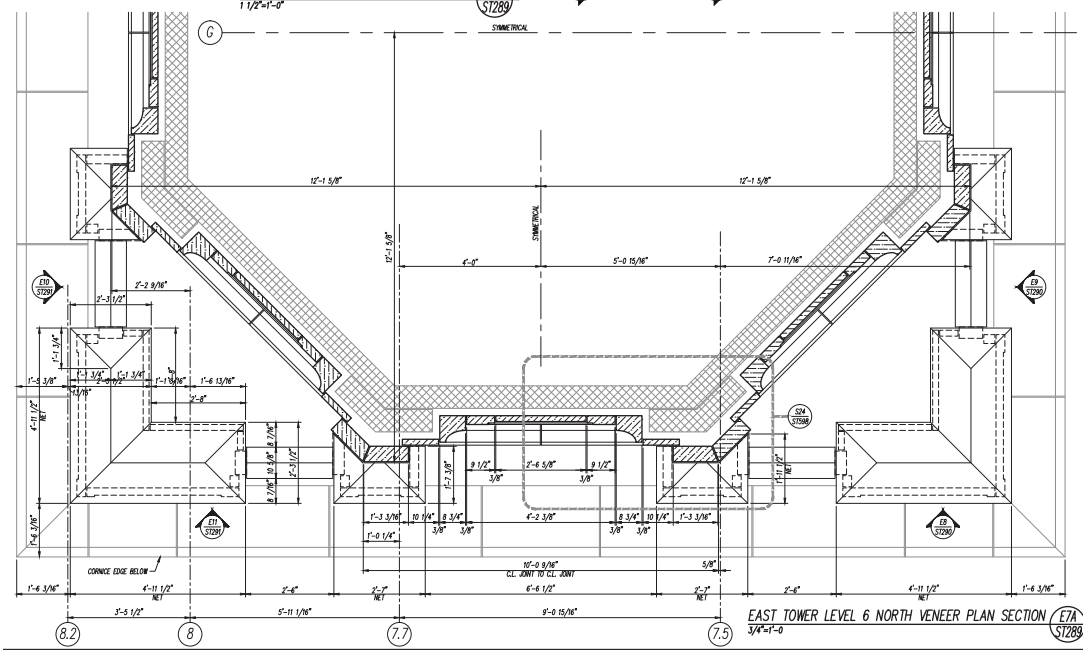
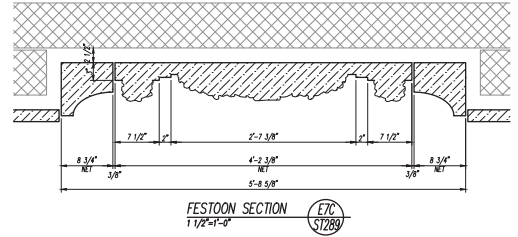
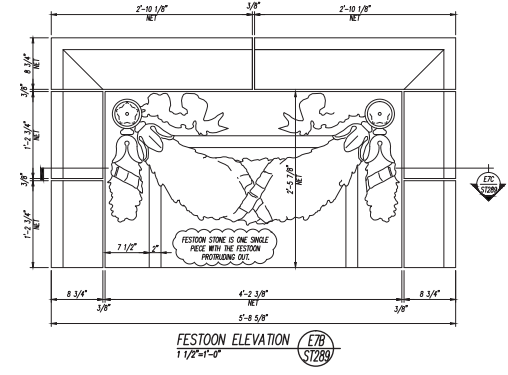
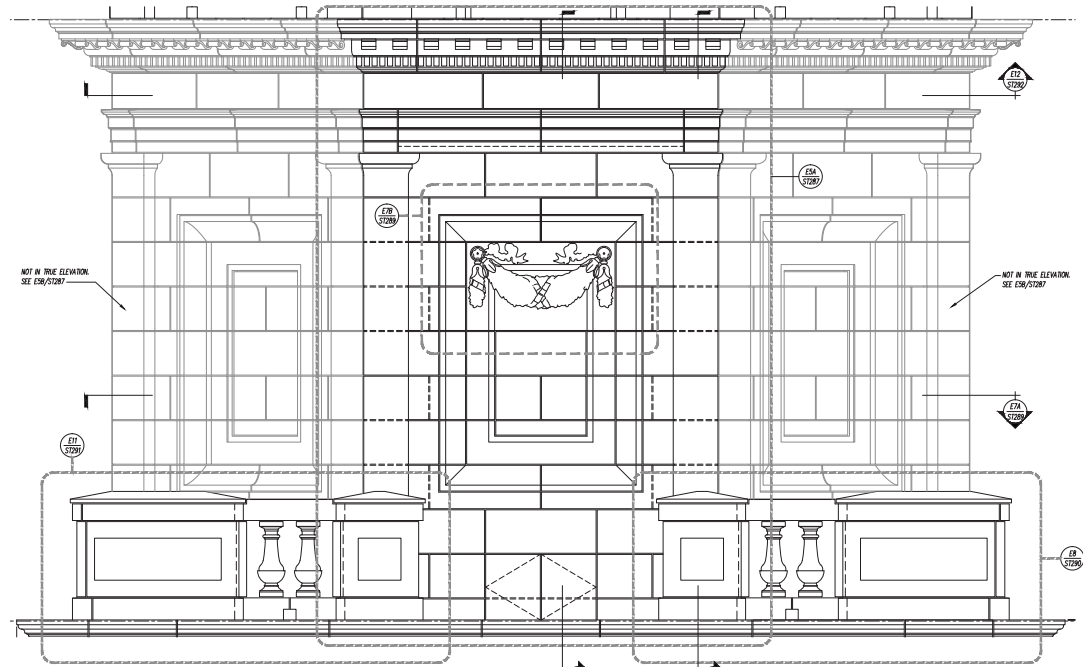


East Elevation

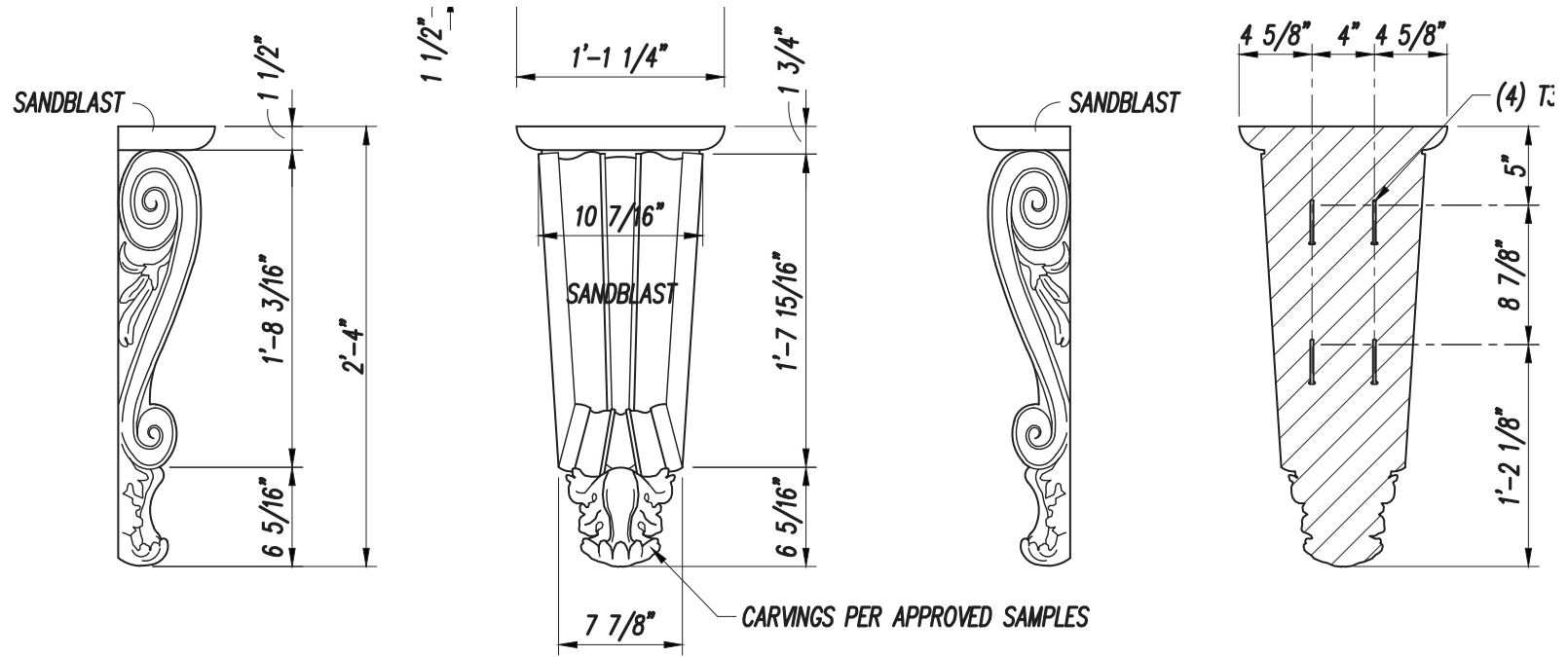
LDS PHILADELPHIA PENNSYLVANIA TEMPLE



Partial North Elevation



East Tower North Vaneer Plan



Carved Window Drawing and Completed Carving